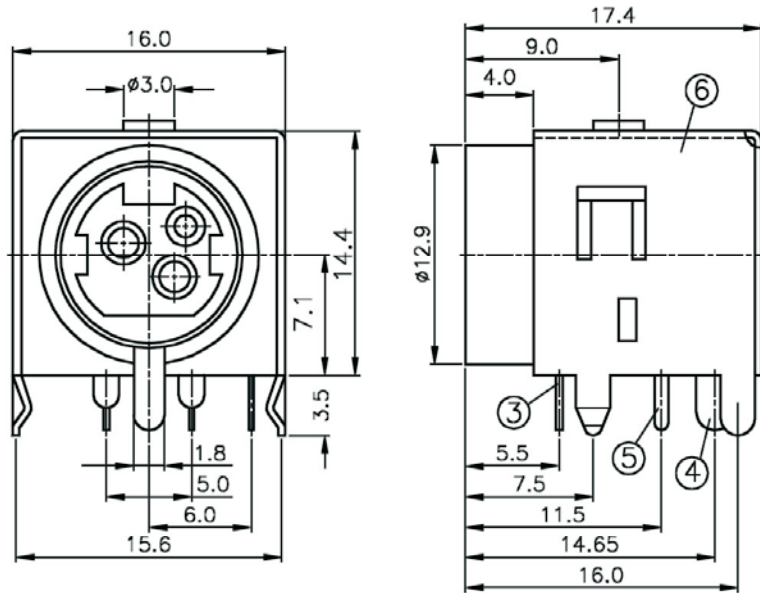


Artikel-Nr.: 0212003

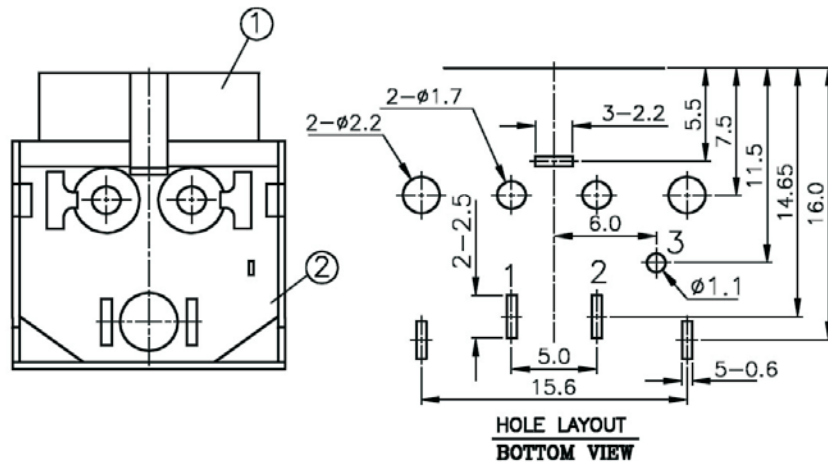
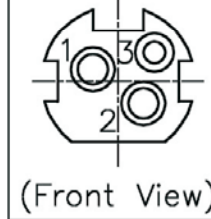
Bez.: Power Einbaubuchse 3 polig print 90°, geschirmt



SPECIFICATIONS:

1. CURRENT CARRYING CAPACITY : PIN NO. A & B : 20 VDC 7.5A MAX .
PIN NO. C : 20 VDC 1A MAX .
2. DIELECTRIC STRENGTH : A POTENTIAL OF 250V RMS , 50/60 HZ SHALL BE APPLIED BETWEEN ANY OPEN CONTACTS , FOR 1 MINUTE , WITHOUT BREAKDOWN .
3. INSULATION RESISTANCE : BEFORE ANY ENVIRONMENTAL TEST : 50 MOHM MIN , @250 VDC
AFTER ANY ENVIRONMENTAL TEST : 5 MOHM MIN , @250 VDC
4. CONTACT RESISTANCE : BEFORE ANY TEST
PIN TO CONTACTOR NO. A,B&C : 30mOHM MAX . @20 mA , 1 KHZ
AFTER PERFORMANCE LIFE TEST
PIN TO CONTACTOR NO. A&B : 60mOHM MAX . @20 mA , 1 KHZ
PIN TO CONTACTOR NO. C : 100mOHM MAX . @20 mA , 1 KHZ
5. INSERTION FORCE AND WITHDRAWAL FORCE : INSERTION FORCE : 6.0KGS MAX .
WITHDRAWAL FORCE : 0.5 - 6.0 KGS
6. PERFORMANCE TEST (NO LOAD CONDITION) : SOCKETS SHALL BE SUBJECT TO 1,000 CYCLES,
AT THE RATE OF 10 TO 20 CYCLES PER MINUTE .
7. UNLESS OTHER SPECIFIC TOLERANCE IS ±0.2

Arrangement



6.	SHIELD	1	SPCC 0.4t	TIN	
5.	C. TERMINAL	1	PBR-H 0.2t	TIN	
4.	A. B. TERMINAL	2	BSR-H 0.3t	TIN	
3.	EARTH TERMINAL	1	BSR-H 0.4t	TIN	
2.	COVER	1	P.B.T.		UL94V-0
1.	BODY	1	P.B.T.		UL94V-0
P/N	PART NAME	QTY	MATERIAL	PLATING	REMARKS

www.bkl-electronic.de

Technische Änderungen vorbehalten. Ausführungen können variieren. Sollten Sie ein Muster benötigen kontaktieren Sie uns bitte.

BKL-ELECTRONIC Kreimendahl GmbH • Märkenstück 14 • 58509 Lüdenscheid
Tel: +49 (0)2351-3621-0 • Fax: +49 (0)2351-3621-29 • info@bkl-electronic.de

